

PPTC- Polymer PTC Resettable Fuse: KRL Series



Radial Leded Type For Line Voltage Application

■ Features

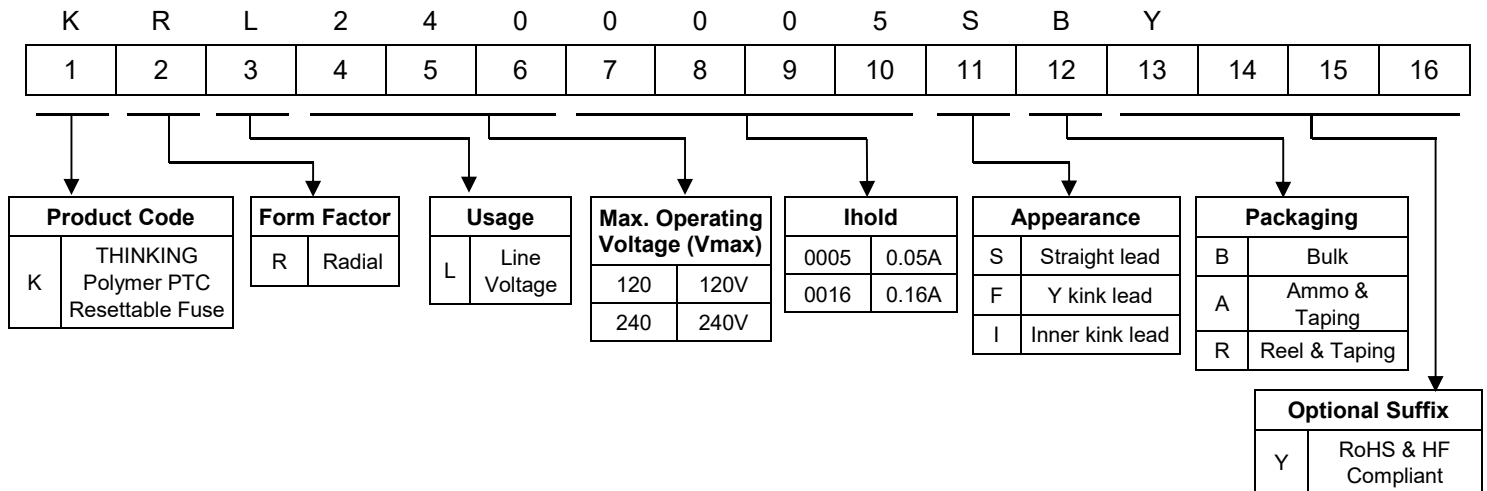
1. RoHS & Halogen-Free (HF) compliant
2. Radial leaded devices
3. Hold current ratings from 0.05A ~ 3.75A
4. Maximum operating voltage: 120Vac, 240Vac
5. Operating & storage temperature range : -40 ~ +85°C
6. Agency Approval: UL / cUL / TUV



■ Recommended Applications

1. Motors
2. Transformers
3. Power supplies
4. Industrial controllers
5. Home appliance

■ Part Number Code

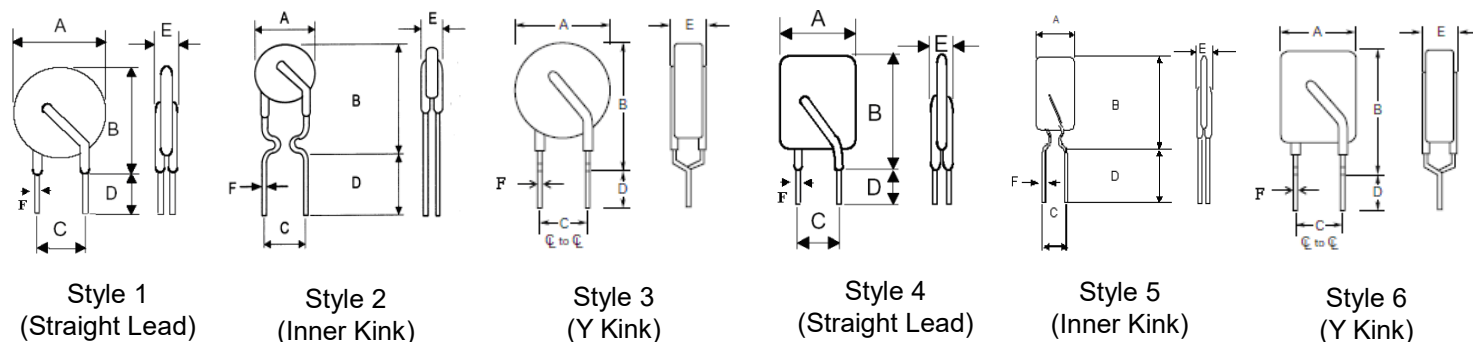


PPTC- Polymer PTC Resettable Fuse: KRL Series



Radial Leded Type For Line Voltage Application

Structure and Dimensions



Marking: Device is marked with product type, Vmax, and I hold.

● KRL120

(Unit: mm)

Part No.	A	B		C		D		E		F		Figure
	Max.	Max.		Min.	Max.	Min.	Max.	Min.	Max.	Min.	Max.	
		Straight Lead	F Kink/ Inner Kink									
KRL1200005	8.3	10.7	12.1	4.2	5.8	7.6	11.6	2.6	4.6	0.48	0.52	1.2.3
KRL1200008	8.3	10.7	12.4	4.2	5.8	7.6	11.6	2.6	4.6	0.48	0.52	1.2.3
KRL1200010	8.3	10.7	12.4	4.2	5.8	7.6	11.6	2.6	4.6	0.48	0.52	1.2.3
KRL1200012	8.3	10.7	12.9	4.2	5.8	7.6	11.6	2.6	3.8	0.48	0.52	1.2.3
KRL1200016	9	12.3	13.8	4.2	5.8	7.6	11.6	2.6	3.8	0.48	0.52	1.2.3
KRL1200025	9.5	16.5	18	4.2	5.8	7.6	11.6	2.6	3.8	0.58	0.62	1.2.3
KRL1200033	10.6	16.5	18	4.2	5.8	7.6	11.6	2.6	3.8	0.58	0.62	4.5.6
KRL1200040	11.5	18.5	20	4.2	5.8	7.6	11.6	2.6	3.8	0.58	0.62	1.2.3
KRL1200050	9	12.3	13.8	4.2	5.8	7.6	11.6	2.6	3.8	0.58	0.62	1.2.3
KRL1200055	12.5	18.5	20	4.2	5.8	7.6	11.6	3	4.1	0.78	0.82	4.5.6
KRL1200065	9.7	14	14.9	4.2	5.8	7.6	11.6	3.5	5.1	0.78	0.82	1.2.3
KRL1200070	10.6	14.5	15.5	4.2	5.8	7.6	11.6	3.5	5.1	0.78	0.82	1.2.3
KRL1200075	10.9	17	20	4.2	5.8	7.6	11.6	3.5	5.1	0.78	0.82	4.5.6
KRL1200090	11.9	14.9	15.9	4.2	5.8	7.6	11.6	3.5	5.1	0.78	0.82	1.2.3
KRL1200100	11.5	19	20.1	4.2	5.8	7.6	11.6	3.5	5.1	0.78	0.82	4.5.6
KRL1200110	13.3	17	18.3	4.2	5.8	7.6	11.6	3.5	5.1	0.78	0.82	1.2.3
KRL1200125	14	20.5	21.7	4.2	5.8	7.6	11.6	3.5	5.1	0.78	0.82	4.5.6
KRL1200130	15.5	20.5	20.6	4.2	5.8	7.6	11.6	3.5	5.1	0.78	0.82	1.2.3
KRL1200135	16.3	20.5	21.7	4.2	5.8	7.6	11.6	3.5	5.1	0.78	0.82	4.5.6
KRL1200160	17.5	21.5	22.5	4.2	5.8	7.6	11.6	3.5	5.1	0.78	0.82	1.2.3
KRL1200185	16.8	23	24.9	4.2	5.8	7.6	11.6	3.5	5.1	0.78	0.82	1.2.3
KRL1200200	20.1	25.8	27.3	9.2	10.8	7.6	11.6	3.5	5.1	0.78	0.82	4.5.6
KRL1200250	22.5	26	27.5	9.2	10.8	7.6	11.6	3.5	5.1	0.78	0.82	1.2.3
KRL1200300	28.4	30.4	31.9	9.2	10.8	7.6	11.6	3.5	5.1	0.78	0.82	1.2.3
KRL1200375	29.5	33	34	9.2	10.8	7.6	11.6	3.5	5.1	0.78	0.82	1.2.3

PPTC- Polymer PTC Resettable Fuse: KRL Series



Radial Leaded Type For Line Voltage Application

● KRL240

(Unit: mm)

Part No.	A		B				C		D		E		F		Figure
	Min.	Max.	Min		Max		Min.	Max.	Min.	Max.	Min.	Max.	Min.	Max.	
			Straight Lead	F Kink/ Inner Kink	Straight Lead	F Kink/ Inner Kink									
KRL2400005	6.8	8.3	6.7	10.9	10.7	12.1	4.2	5.8	7.6	11.6	2.6	4.6	0.48	0.52	1.2.3
KRL2400008	6.8	8.3	6.7	10.9	10.7	12.4	4.2	5.8	7.6	11.6	2.6	4.6	0.48	0.52	1.2.3
KRL2400012	6.8	8.3	6.7	10.9	10.7	12.9	4.2	5.8	7.6	11.6	2.6	3.8	0.48	0.52	1.2.3
KRL2400016	7.7	9.0	7.6	11.8	12.3	13.8	4.2	5.8	7.6	11.6	2.6	3.8	0.48	0.52	1.2.3
KRL2400025	7.9	9.5	11.8	16.0	16.5	18.0	4.2	5.8	7.6	11.6	2.6	3.8	0.58	0.62	4.5.6
KRL2400033	9.0	10.6	11.8	16.0	16.5	18.0	4.2	5.8	7.6	11.6	2.6	3.8	0.58	0.62	4.5.6
KRL2400040	9.9	11.5	13.8	18.0	18.5	20.0	4.2	5.8	7.6	11.6	2.6	3.8	0.58	0.62	4.5.6
KRL2400055	10.9	12.5	13.8	18.0	18.5	20.0	4.2	5.8	7.6	11.6	3.0	4.1	0.78	0.82	4.5.6
KRL2400075	9.9	11.5	13.8	18.0	18.5	20.0	4.2	5.8	7.6	11.6	3.0	4.8	0.78	0.82	4.5.6
KRL2400100	16.4	18.0	16.3	20.5	21.0	22.5	9.2	10.8	7.6	11.6	3.0	5.1	0.78	0.82	1.2.3
KRL2400125	18.4	20.0	18.3	22.5	23.0	24.5	9.2	10.8	7.6	11.6	3.0	5.3	0.78	0.82	1.2.3
KRL2400135	15.6	16.3	19.3	23.5	24.0	25.5	4.2	5.8	7.6	11.6	3.0	4.1	0.78	0.82	4.5.6
KRL2400200	22.4	24.0	22.3	26.5	27.0	28.5	9.2	10.8	7.6	11.6	3.0	6.1	0.78	0.82	4.5.6

PPTC- Polymer PTC Resettable Fuse: KRL Series



Radial Leded Type For Line Voltage Application

■ Electrical Characteristics at 23°C

Part No.	V _{max.}	V _{interrupt}	I _{max.}	I _{hold}	I _{trip}	P _d (Typ.)	Max. Time to Trip		Resistance		Safety Approvals	
	(V _{ac})	(V _{ac})	(A)	(A)	(A)	(W)	Current	Time	Initial Ri	Post Trip R1	UL/cUL	TUV
							(A)	(Sec.)	Min. (Ω)	Max. (Ω)		
KRL1200005	120	135	20	0.05	0.12	0.9	0.25	15	18.5	65	√	√
KRL1200008	120	135	20	0.08	0.19	0.9	0.4	15	7.4	26	√	√
KRL1200010	120	135	2	0.1	0.2	1	0.5	10	3	7.5	√	√
KRL1200012	120	135	20	0.12	0.3	1	0.6	15	3	12	√	√
KRL1200016	120	135	20	0.16	0.37	1.4	0.8	15	2.5	7.8	√	√
KRL1200025	120	135	20	0.25	0.56	1.5	1.25	18.5	1.3	3.8	√	√
KRL1200033	120	135	20	0.33	0.74	1.7	1.65	21	0.77	2.6	√	√
KRL1200040	120	135	20	0.4	0.9	2	2	24	0.6	1.9	√	√
KRL1200050	120	135	3	0.5	1	1.56	2.5	6	0.5	1.2	√	√
KRL1200055	120	135	20	0.55	1.25	3.4	2.75	26	0.45	1.45	√	√
KRL1200065	120	135	5	0.65	1.3	1.68	3.25	6.5	0.31	0.72	√	√
KRL1200070	120	135	5	0.7	1.4	1.8	3.5	7.2	0.25	0.6	√	√
KRL1200075	120	135	7.5	0.75	1.5	2.64	3.75	15	0.25	0.69	√	√
KRL1200090	120	135	5	0.9	1.8	1.8	4.5	8	0.2	0.47	√	√
KRL1200100	120	135	10	1	2	2.64	5	15	0.18	0.47	√	√
KRL1200110	120	135	8	1.1	2.2	2.28	5.5	8.2	0.15	0.38	√	√
KRL1200125	120	135	12.5	1.25	2.5	2.88	6.25	20	0.11	0.33	√	√
KRL1200130	120	135	10	1.3	2.6	2.64	6.5	9.6	0.12	0.3	√	√
KRL1200135	120	135	13.5	1.35	2.7	3.12	6.75	20	0.11	0.3	√	√
KRL1200160	120	135	12	1.6	3.2	3.12	8	11.4	0.09	0.22	√	√
KRL1200185	120	135	12	1.85	3.7	3.36	9.25	12.6	0.08	0.19	√	√
KRL1200200	120	135	20	2	4.2	4.35	10	36	0.08	0.21	√	√
KRL1200250	120	135	15	2.5	5	4.44	12.5	15.6	0.05	0.13	√	√
KRL1200300	120	135	20	3	6	4.5	15	19.8	0.04	0.1	√	√
KRL1200375	120	135	20	3.75	7.5	4.86	18.75	24	0.03	0.08	√	√

Note: UL&cUL File No: E138827

TUV File No: R50279312

PPTC- Polymer PTC Resettable Fuse: KRL Series



Radial Leaded Type For Line Voltage Application

■ Electrical Characteristics at 23°C

Part No.	V _{max.}	V _{interrupt}	I _{max.}	I _{hold}	I _{trip}	P _d (Typ.)	Max. Time to Trip		Resistance		Safety Approvals	
	(V _{ac})	(V _{ac})	(A)	(A)	(A)	(W)	Current (A)	Time (Sec.)	Initial R _i Min. (Ω)	Post Trip R ₁ Max. (Ω)	UL/ cUL	TUV
	KRL2400005	240	265	1.00	0.05	0.12	0.70	0.25	15.00	18.50	65.00	√
KRL2400008	240	265	1.20	0.08	0.19	0.80	0.40	15.00	7.40	26.00	√	√
KRL2400012	240	265	1.20	0.12	0.30	1.00	0.60	15.00	3.00	12.00	√	√
KRL2400016	240	265	2.00	0.16	0.37	1.40	0.80	15.00	2.50	7.80	√	√
KRL2400025	240	265	3.50	0.25	0.56	1.50	1.25	18.50	1.30	3.80	√	√
KRL2400033	240	265	4.50	0.33	0.74	1.70	1.65	21.00	0.77	2.60	√	√
KRL2400040	240	265	5.50	0.40	0.90	2.00	2.00	24.00	0.60	1.90	√	√
KRL2400055	240	265	7.00	0.55	1.25	3.40	2.75	26.00	0.45	1.45	√	√
KRL2400075	240	265	7.50	0.75	1.50	2.6	3.75	18.00	0.250	0.84	√	√
KRL2400100	240	265	10.00	1.00	2.00	2.9	5.00	21.00	0.179	0.58	√	√
KRL2400125	240	265	12.50	1.25	2.50	3.3	6.25	23.00	0.117	0.44	√	√
KRL2400135	240	265	13.50	1.35	2.70	4.0	6.75	20.00	0.109	0.30	√	√
KRL2400200	240	265	20.00	2.00	4.00	4.5	10.00	36.00	0.075	0.22	√	√

Note: UL&cUL File No: E138827

TUV File No: R50279312

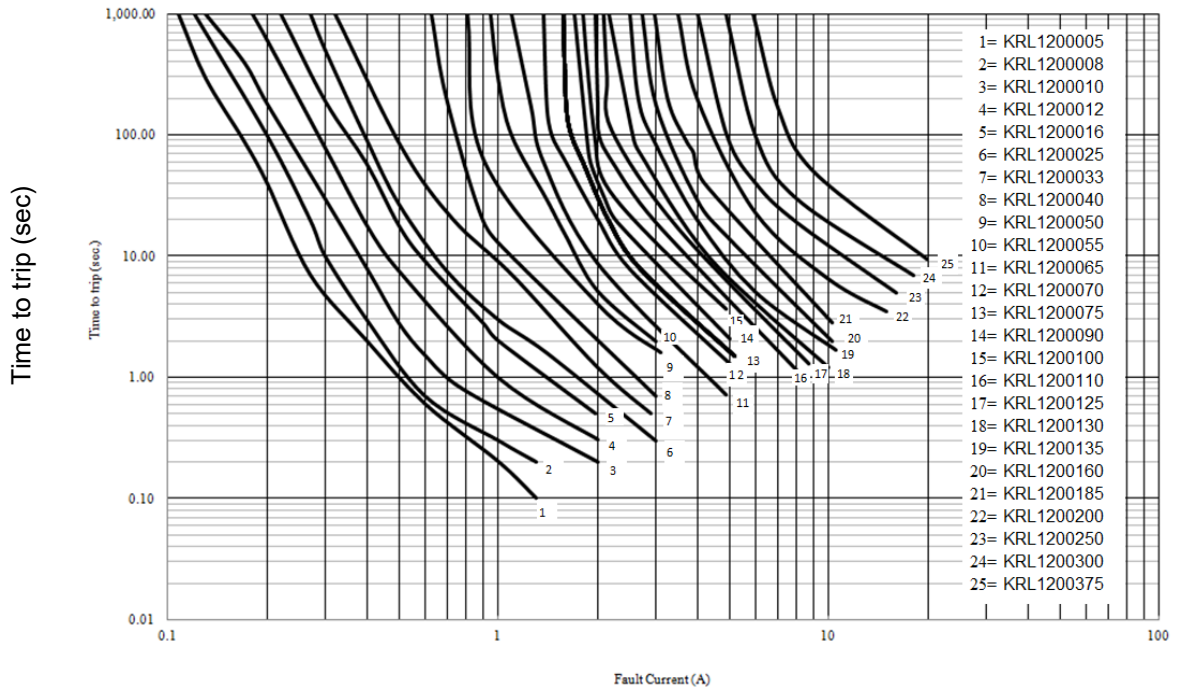
PPTC- Polymer PTC Resettable Fuse: KRL Series



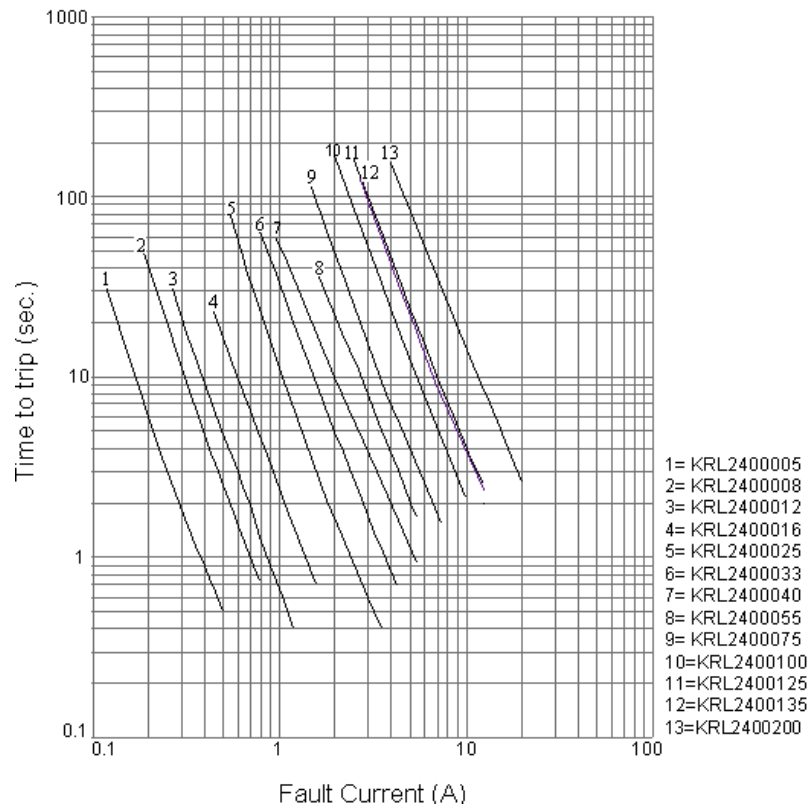
Radial Leaded Type For Line Voltage Application

Typical Time to Trip Curves at 23°C

KRL1200005~KRL1200375



KRL2400005~KRL2400200

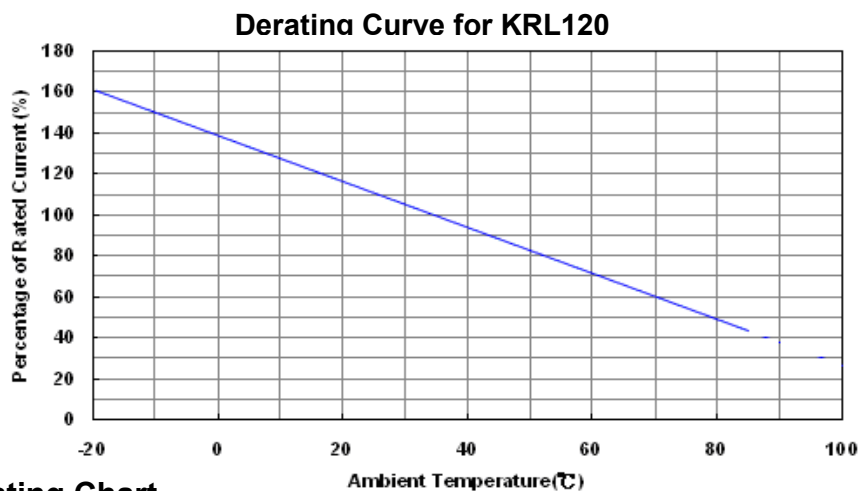


PPTC- Polymer PTC Resettable Fuse: KRL Series



Radial Leded Type For Line Voltage Application

■ Ihold & Itrip Thermal Derating Curve



■ Ihold Thermal Derating Chart

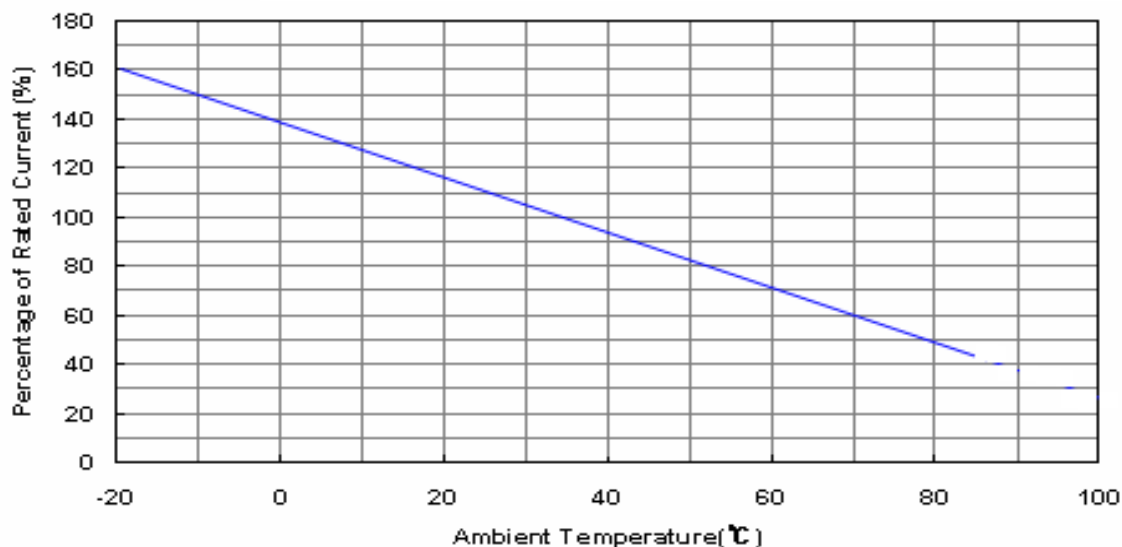
(Unit: A)

Part no	Ambient Temperature								
	-40°C	-20°C	0°C	23°C	40°C	50°C	60°C	70°C	85°C
KRL1200005	0.08	0.07	0.06	0.05	0.04	0.04	0.03	0.030	0.020
KRL1200008	0.13	0.11	0.10	0.08	0.07	0.06	0.05	0.040	0.030
KRL1200010	0.16	0.14	0.12	0.10	0.08	0.07	0.06	0.050	0.038
KRL1200012	0.19	0.16	0.15	0.12	0.10	0.09	0.07	0.060	0.040
KRL1200016	0.26	0.21	0.20	0.16	0.13	0.11	0.10	0.080	0.050
KRL1200025	0.40	0.34	0.32	0.25	0.21	0.18	0.15	0.130	0.090
KRL1200033	0.53	0.44	0.42	0.33	0.27	0.23	0.20	0.170	0.110
KRL1200040	0.64	0.54	0.51	0.40	0.33	0.28	0.24	0.200	0.140
KRL1200050	0.79	0.69	0.60	0.50	0.40	0.35	0.30	0.250	0.190
KRL1200055	0.88	0.74	0.68	0.55	0.46	0.40	0.35	0.290	0.220
KRL1200065	1.03	0.90	0.77	0.65	0.52	0.46	0.39	0.325	0.247
KRL1200070	1.11	0.97	0.83	0.70	0.56	0.49	0.42	0.350	0.266
KRL1200075	1.19	1.04	0.89	0.75	0.60	0.53	0.45	0.375	0.285
KRL1200090	1.42	1.24	1.07	0.90	0.72	0.63	0.54	0.450	0.342
KRL1200100	1.58	1.38	1.19	1.00	0.80	0.70	0.60	0.500	0.380
KRL1200110	1.74	1.52	1.31	1.10	0.88	0.77	0.66	0.550	0.418
KRL1200125	1.98	1.73	1.49	1.25	1.00	0.88	0.75	0.625	0.475
KRL1200130	2.05	1.79	1.55	1.30	1.04	0.91	0.78	0.650	0.494
KRL1200135	2.13	1.86	1.61	1.35	1.08	0.95	0.81	0.675	0.513
KRL1200160	2.53	2.21	1.90	1.60	1.28	1.12	0.96	0.800	0.608
KRL1200185	2.92	2.55	2.20	1.85	1.48	1.30	1.11	0.925	0.703
KRL1200200	3.20	2.68	2.40	2.00	1.80	1.60	1.40	1.200	0.850
KRL1200250	3.95	3.45	2.98	2.50	2.00	1.75	1.50	1.250	0.950
KRL1200300	4.80	4.02	3.60	3.00	2.70	2.40	2.10	1.800	1.200
KRL1200375	5.93	5.18	4.46	3.75	3.00	2.63	2.25	1.875	1.425



■ Ihold & Itrip Thermal Derating Curve

Derating Curve for KRL240 Series



■ Ihold Thermal Derating Chart

(Unit: A)

Part no	Ambient Temperature								
	-40°C	-20°C	0°C	23°C	40°C	50°C	60°C	70°C	85°C
KRL2400005	0.08	0.07	0.06	0.05	0.04	0.04	0.03	0.03	0.02
KRL2400008	0.128	0.11	0.1	0.08	0.07	0.06	0.05	0.04	0.03
KRL2400012	0.192	0.16	0.15	0.12	0.1	0.09	0.07	0.06	0.04
KRL2400016	0.256	0.21	0.2	0.16	0.13	0.11	0.1	0.08	0.05
KRL2400025	0.4	0.34	0.32	0.25	0.21	0.18	0.15	0.13	0.09
KRL2400033	0.528	0.44	0.42	0.33	0.27	0.23	0.2	0.17	0.11
KRL2400040	0.64	0.54	0.51	0.4	0.33	0.28	0.24	0.2	0.14
KRL2400055	0.88	0.74	0.68	0.55	0.46	0.4	0.35	0.29	0.22
KRL2400075	1.2	1.01	0.98	0.75	0.6	0.56	0.49	0.45	0.41
KRL2400100	1.6	1.34	1.3	1	0.8	0.75	0.65	0.6	0.55
KRL2400125	2	1.68	1.63	1.25	1	0.94	0.81	0.75	0.69
KRL2400135	2.16	1.81	1.65	1.35	1.12	1.01	0.9	0.78	0.65
KRL2400200	3.2	2.68	2.6	2	1.6	1.5	1.3	1.2	1.10

PPTC- Polymer PTC Resettable Fuse: KRL Series



Radial Leaded Type For Line Voltage Application

Reliability

Item	Standard	Test Condition/methods	Criteria
Resistance to Soldering Heat	IEC 60068-2-58	260 ± 5°C, 10±1 sec	Rf<R1max, No visible damage
Passive Aging	IEC 60738-1	85±5°C, 1000±24hrs	±5% typical resistance change
Humidity Aging	IEC 60068-2-78	85±5°C, 80~85%RH, 1000±5hrs	±5% typical resistance change
Rapid Change of Temperature	IEC 60738-1	85±5/-40±5°C, 10 cycles, Duration: 30min	±5% typical resistance change
Overload Endurance	UL 1434	Vmax, 120% Imax, 50 cycles Vmax, 300% Itrip, 6000 cycles	No visible damage
Trip Endurance	UL 1434	Vmax, Itrip ≤ I ≤ Imax, 1000±24hrs	No visible damage

Packaging

Devices are taped according to IEC 60286-2 standards. See table below and Fig. 1~5 for details.

Description	EIA Mark	Dimensions (mm)	Tolerance (mm)
Sprocket hole pitch	P ₀	12.70	±0.3
Ordinate to adjacent component lead KRL1200005-KRL1200185, KRL2400005~KRL2400075, KRL2400135	P ₁	3.85	±0.7
Ordinate to adjacent component lead KRL1200200-KRL1200375, KRL2400100, KRL2400125, KRL2400200		7.7	±0.7
Device pitch KRL1200005-KRL1200050, KRL1200065-KRL1200100, KRL2400005-KRL2400040, KRL2400075	P	12.70	±1.0
Device pitch KRL1200055, KRL1200110-KRL1200375 KRL2400055, KRL2400100, KRL2400125, KRL2400135, KRL2400200		25.40	
Carrier tape width	W	18.00	+1/-0.5
Top distance between tape edges	W ₂	3.00	Max
Hold-down tape width	W ₀	12.00	±1.5
Sprocket hole position	W ₁	9.00	+0.75/-0.5
Lead spacing KRL1200005- KRL1200185, KRL2400005-KRL2400075, KRL2400135	C	5.0	±0.8
Lead spacing KRL1200200- KRL1200375, KRL240100, KRL2400125, KRL2400200		10.0	
Lead diameter KRL1200005-KRL1200016, KRL2400005~KRL2400016	d	0.50	±0.02
Lead diameter KRL1200025-KRL1200050, KRL2400025~KRL2400040		0.60	
Lead diameter KRL1200055-KRL1200375, KRL2400055~KRL2400200		0.80	
Abscissa to top KRL1200005-KRL1200025, KRL1200040-KRL1200050, KRL2400005-KRL2400016	H ₁	32.20	Max
Abscissa to top KRL1200033, KRL1200055-KRL1200375, RL2400025-KRL2400200		47.50	
Abscissa to plane (straight lead)	H	18.00	+2/-0
Abscissa to plane (Y kinked lead)	H ₀	16.00	±0.5
Sprocket hole diameter	D ₀	4.00	±0.2
Lead protrusion	L ₁	0.50	Max
Tape thickness	t	0.60	±0.2
Body tape plane deviation	Δh	2.00	Max.
Body lateral deviation	Δp	1.00	Max.
Reel width	W3	See reel specification	±1
Reel diameter		340.00	±10.0
Arbor hold diameter	n ₀	31.00	±1
Core diameter	n	80.00	Min.

Radial Leaded Type For Line Voltage Application

● Taping Specification (KRL120 Series)

Fig.1 For KRL1200005-KRL1200025, KRL1200040-KRL1200050, KRL1200065-KRL1200070, KRL1200090, KRL1200110, KRL1200130, KRL1200160-KRL1200185

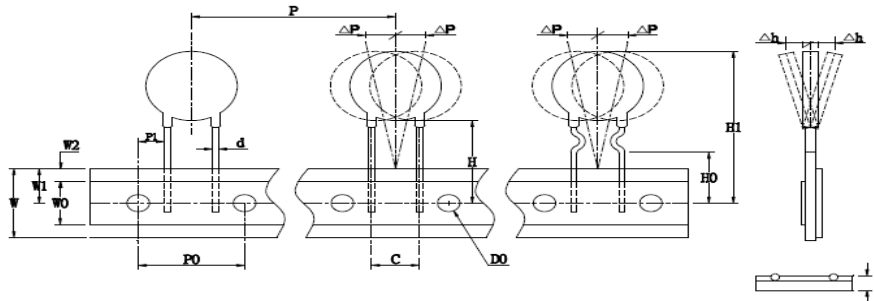


Fig.2 For KRL1200033, KRL1200055, KRL1200075, KRL12001005, KRL1200125, KRL1200135

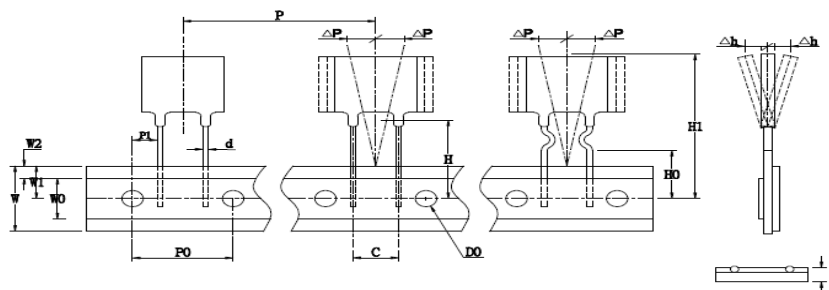


Fig.3 For KRL1200200

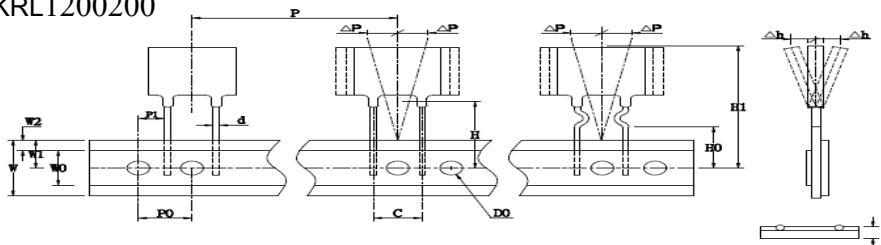
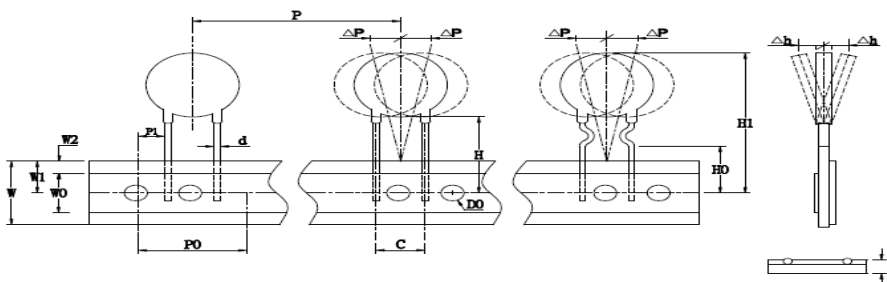


Fig.4... For KRL1200250-375



PPTC- Polymer PTC Resettable Fuse: KRL Series



Radial Leded Type For Line Voltage Application

Part Number	P ₀ ±0.3	P ±1	P ₁ ±0.7	W +0.1/ -0.5	W ₀ ±1.5	W ₁ +0.75/ -0.5	W ₂ Max.	C ±0.8	H1 Max.	H +2/-0 (straight lead)	H ₀ ±0.5 (Y kink lead)	W ₂ Max.	D ₀ ±0.2	L ₁ Max.	t ±0.2	△p Max.	△h Max.	d ±0.2
KRL1200005	12.7	12.7	3.85	18	12	9	3	5	32.2	18	16	3	4	0.5	0.6	1	2	0.5
KRL1200008		12.7	3.85					5	32.2									0.5
KRL1200010		12.7	3.85					5	32.2									0.5
KRL1200012		12.7	3.85					5	32.2									0.5
KRL1200016		12.7	3.85					5	32.2									0.5
KRL1200025		12.7	3.85					5	32.2									0.6
KRL1200033		12.7	3.85					5	47.5									0.6
KRL1200040		12.7	3.85					5	32.2									0.6
KRL1200050		12.7	3.85					5	32.2									0.6
KRL1200055		12.7	3.85					5	47.5									0.8
KRL1200065		12.7	3.85					5	47.5									0.8
KRL1200070		12.7	3.85					5	47.5									0.8
KRL1200075		12.7	3.85					5	47.5									0.8
KRL1200090		12.7	3.85					5	47.5									0.8
KRL1200100		12.7	3.85					5	47.5									0.8
KRL1200110		25.4	3.85					5	47.5									0.8
KRL1200125		25.4	3.85					5	47.5									0.8
KRL1200130		25.4	3.85					5	47.5									0.8
KRL1200135		25.4	3.85					5	47.5									0.8
KRL1200160		25.4	3.85					5	47.5									0.8
KRL1200185	25.4	3.85	5	47.5	0.8													
KRL1200200	25.4	7.7	10	47.5	0.8													
KRL1200250	25.4	7.7	10	47.5	0.8													
KRL1200300	25.4	7.7	10	47.5	0.8													
KRL1200375	25.4	7.7	10	47.5	0.8													

Radial Leded Type For Line Voltage Application

● Taping Specification (KRL240 Series)

Fig .1 For KRL2400005 ~ KRL2400016

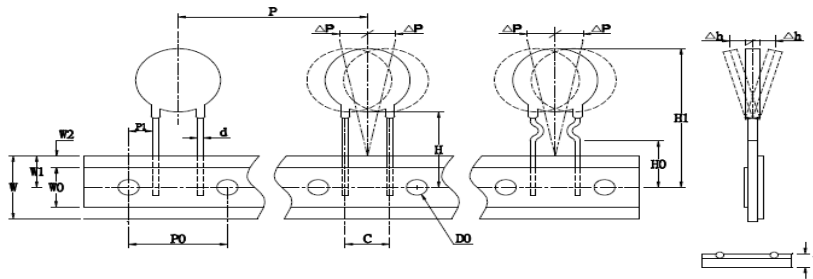


Fig. 2 For KRL2400025 - KRL2400055, KRL2400075, KRL2400135

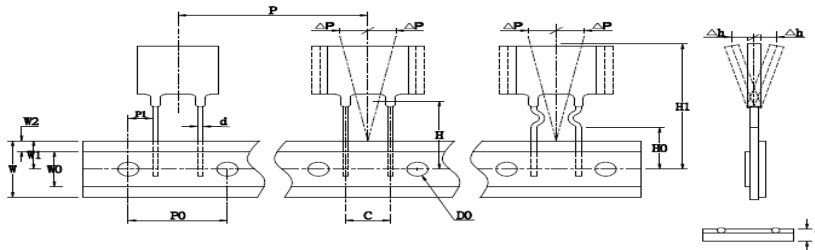


Fig. 3 For KRL240100 and KRL2400125

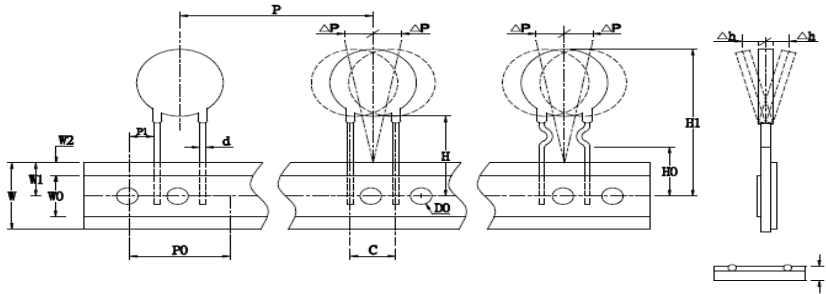
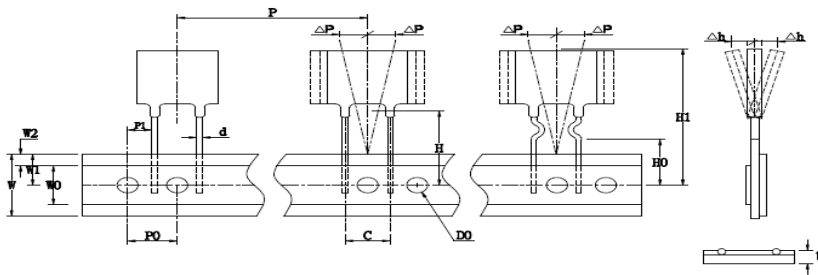
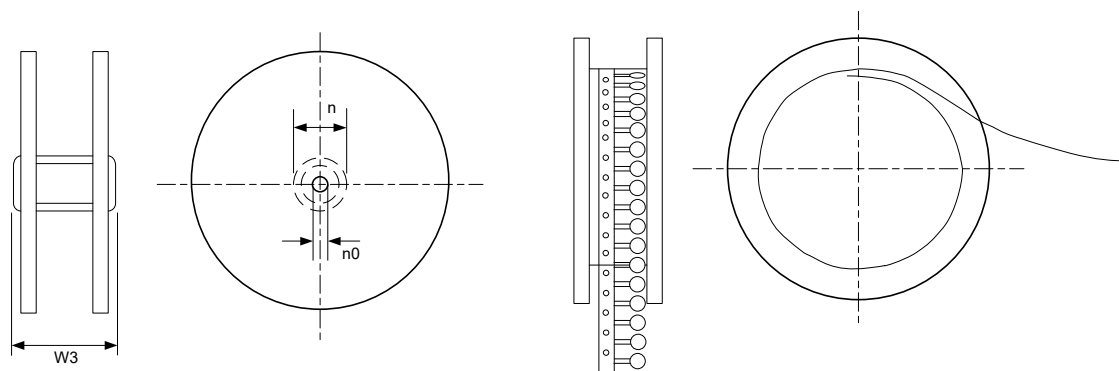


Fig. 4 For KRL2400200



Part Number	P ₀ ±0.3	P ±1	P ₁ ±0.7	W +0.1/ -0.5	W ₀ ±1.5	W ₁ +0.75/ -0.5	W ₂ Max.	C ±0.8	H1 Max.	H +2/-0 (Straight lead)	H ±0.5 (Y kink lead)	W ₂ Max.	D ₀ ±0.2	L ₁ Max.	t ±0.2	Δp Max.	Δh Max.	d ±0.2
KRL2400005	12.7	12.7	3.85	18	12	9	3	5	32.2	18	16	3	4	0.5	0.6	1	2	0.5
KRL2400008		12.7	3.85					5	32.2									0.5
KRL2400012		12.7	3.85					5	32.2									0.5
KRL2400016		12.7	3.85					5	32.2									0.5
KRL2400025		12.7	3.85					5	47.5									0.6
KRL2400033		12.7	3.85					5	47.5									0.6
KRL2400040		12.7	3.85					5	47.5									0.6
KRL2400055		25.4	3.85					5	47.5									0.8
KRL2400075		12.7	3.85					5	47.5									0.8
KRL2400100		25.4	7.7					10	47.5									0.8
KRL2400125		25.4	7.7					10	47.5									0.8
KRL2400135		25.4	3.85					5	47.5									0.8
KRL2400200		25.4	7.7					10	47.5									0.8

● Reel Specification



Series	W3 (mm)
KRL120 (0005~0130, 160) KRL240 (0005~100)	46±1
KRL120 (0135, 0185~0375) KRL240 (0125, 0135, 0200)	55±1

■ Quantity

● Bulk Packing

Series	Quantity (pcs/bag)
KRL120 (0005~0030, 0040~0135) KRL240 (0005~0033, 0040~0075)	500
KRL120 (0160~0185) KRL240 (0100~0125, 0135)	250
KRL120 (0200~0375) KRL240 (0200)	200

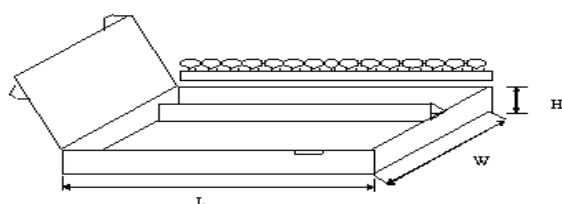
● Reel Packing

Series	Quantity (pcs/reel)
KRL120 (0005~0025, 0040~0050) KRL240 (0005~0016)	2,000
KRL120 (0033, 0065~0100) KRL240 (0025~0040, 0075)	1,500
KRL120 (0055, 110~125, 0185) KRL240 (0055, 0125)	1,000
KRL120 (0130 ~ 0135), (200~250) KRL240 (0135~0200)	800
KRL120 (0160, 0300~0375) KRL240 (0100)	600

● Ammo Packing

Series	Quantity (pcs/box)
KRL120 (0005~0025, 0040~0050) KRL240 (0005~0016)	1,000
KRL120 (0033, 0055~0375) KRL240 (0025~0200)	500

(Unit: mm)



Series	W	L	H
KRL1200005~KRL1200375	345	275	55
KRL2400005~KRL2400200			

■ Warehouse Storage Conditions of Products

- Storage Conditions :
 1. Storage Temperature: $-10^{\circ}\text{C}\sim+40^{\circ}\text{C}$
 2. Relative humidity: $\leq 75\% \text{RH}$
 3. Thermistors must be kept away from sunlight and stored in a non-corrosive atmosphere.
- Period of Storage: 1 year